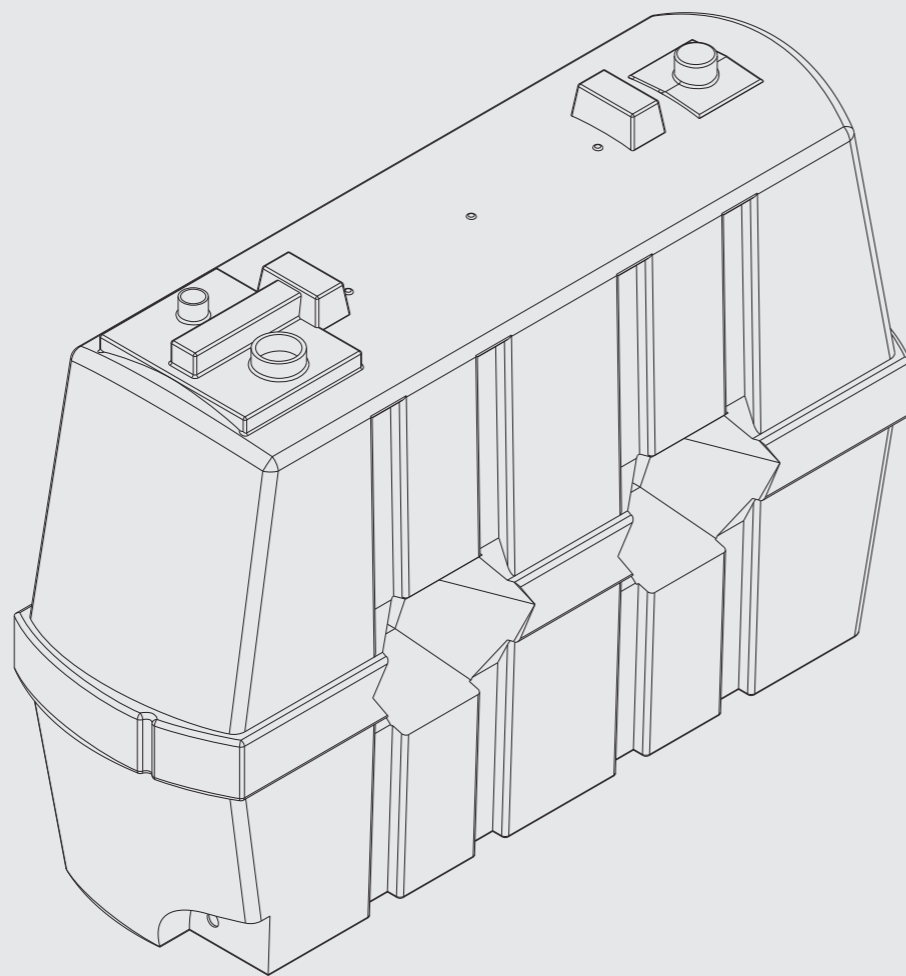
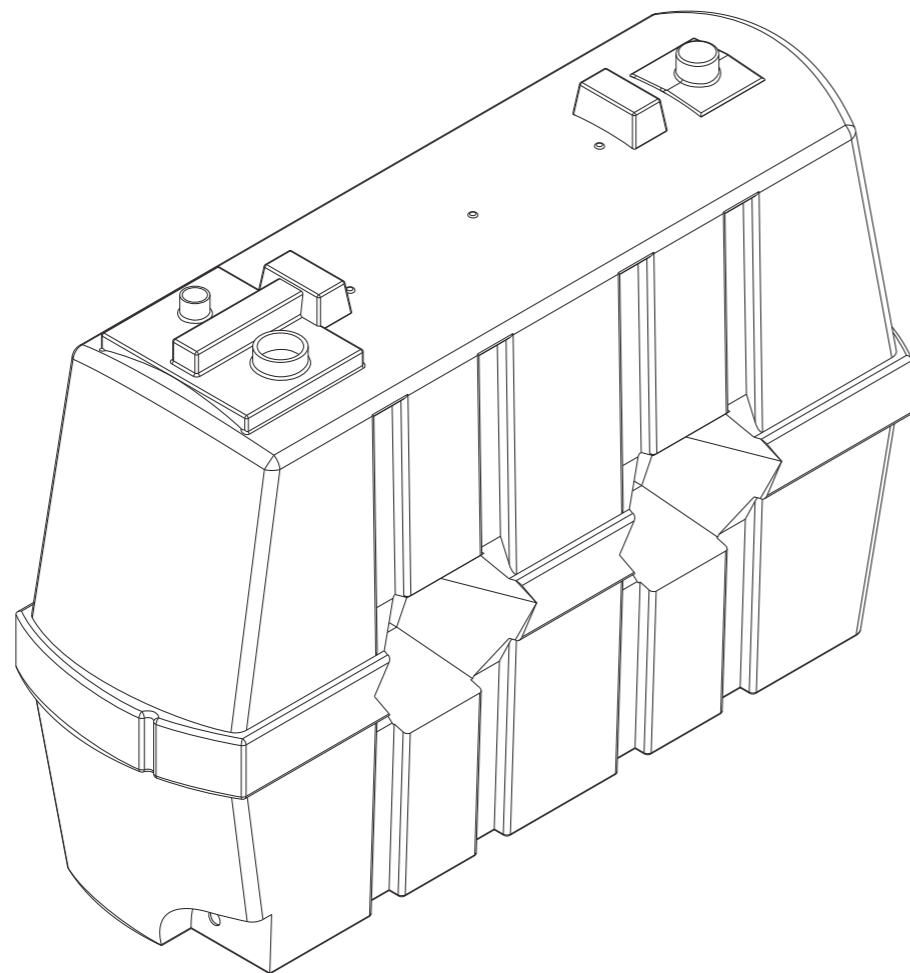
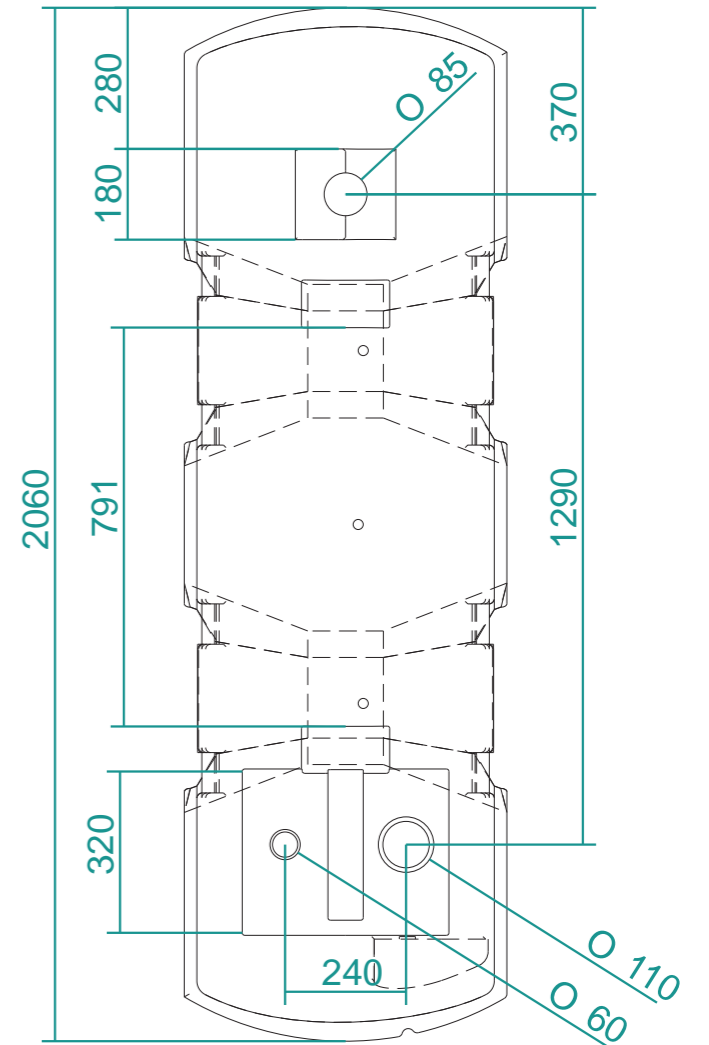
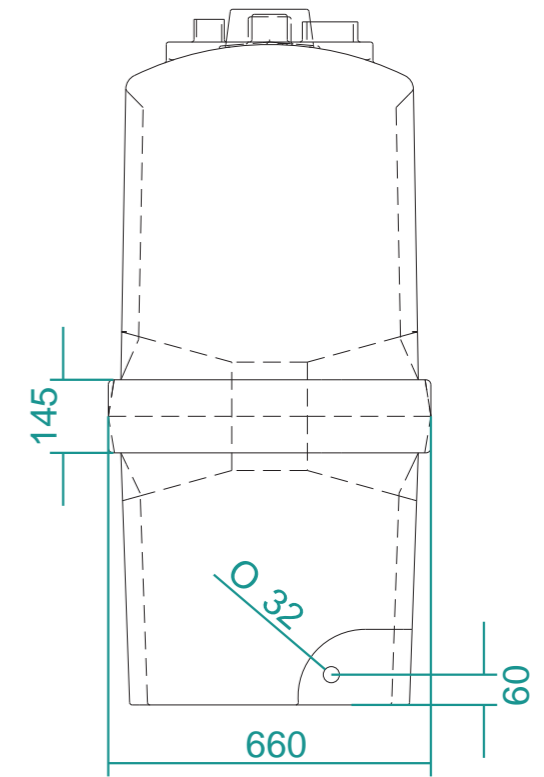
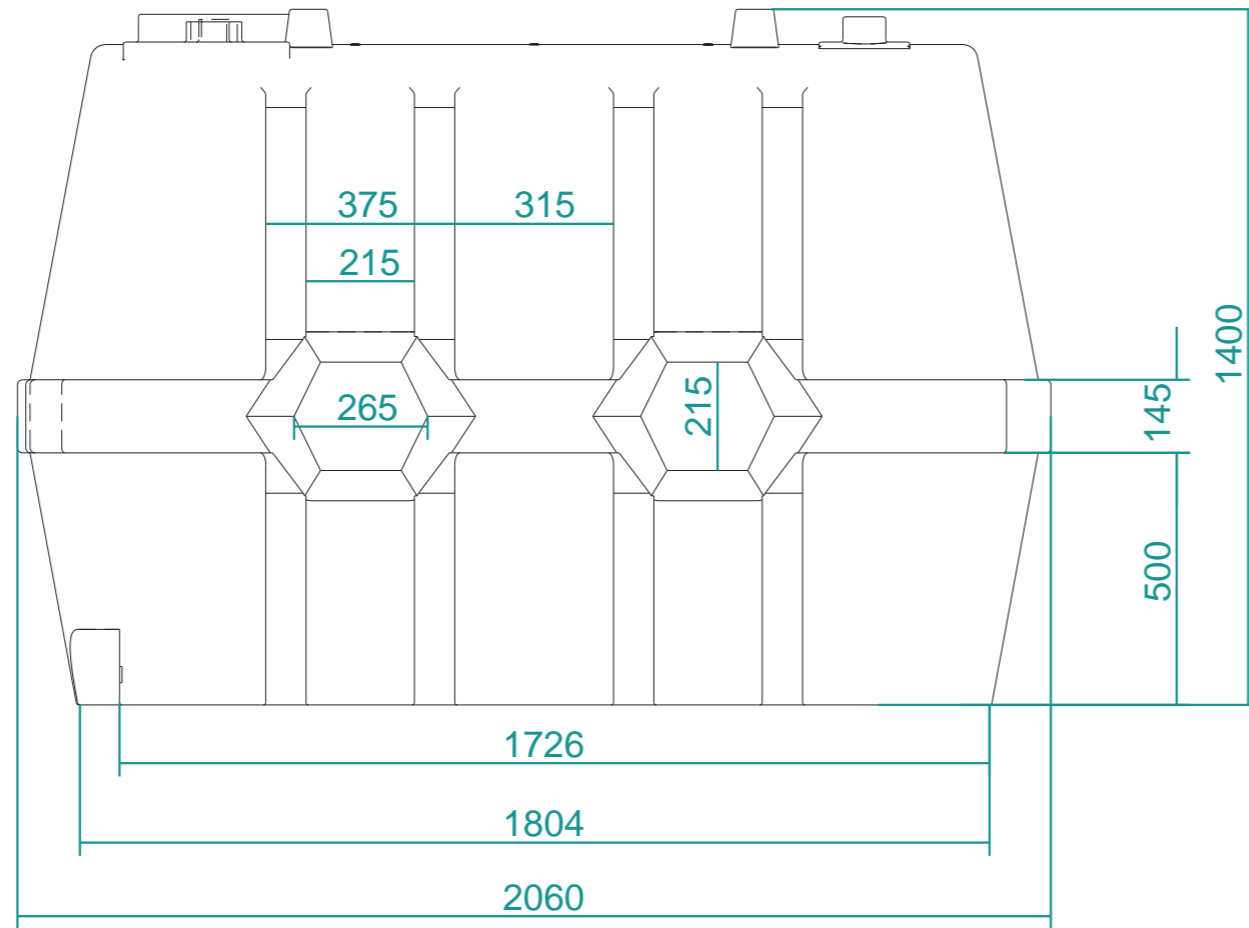


# HB 12\$0



Weight	70kg
Capacity	1220litres
Diameter	-
Length	2060mm
Width	660mm
Height	1400mm

# VÖ12€0



R1220	No. 1 of 1	3rd Angle Orthographic	scale: <b>1:15</b>	Design by Inky Design www.inky-design.co.uk
drawn by: Jonathan Taphouse (BEng)				
date: 23 - 04 - 2010			ISO	